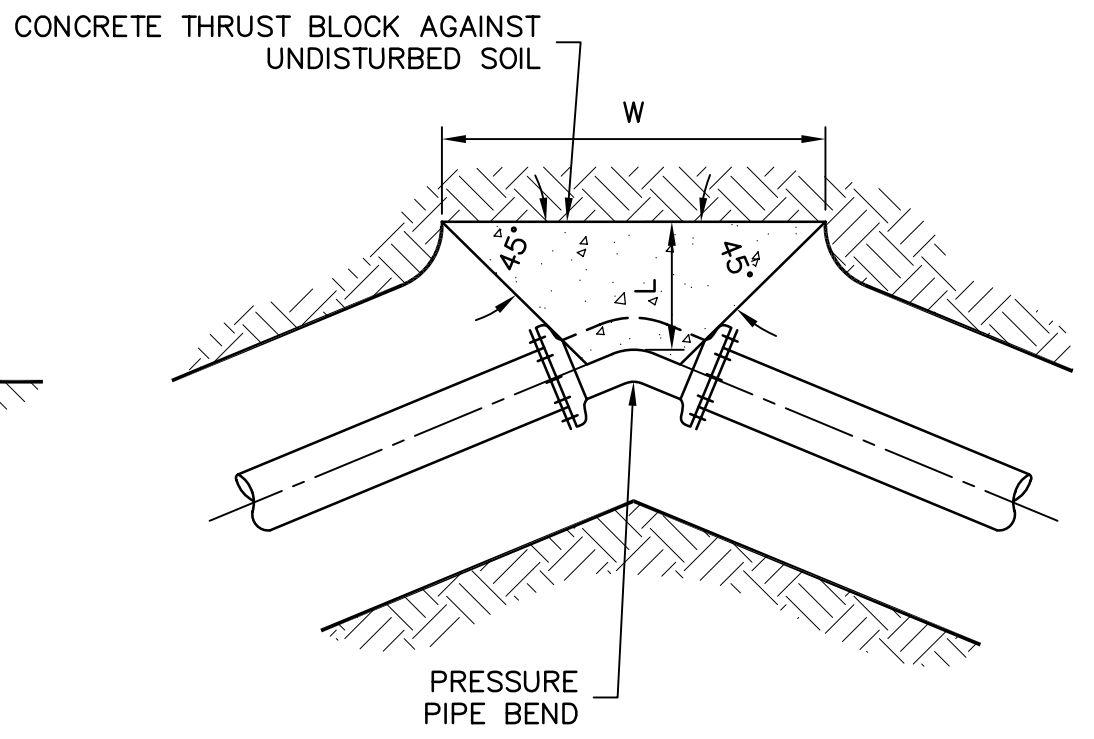
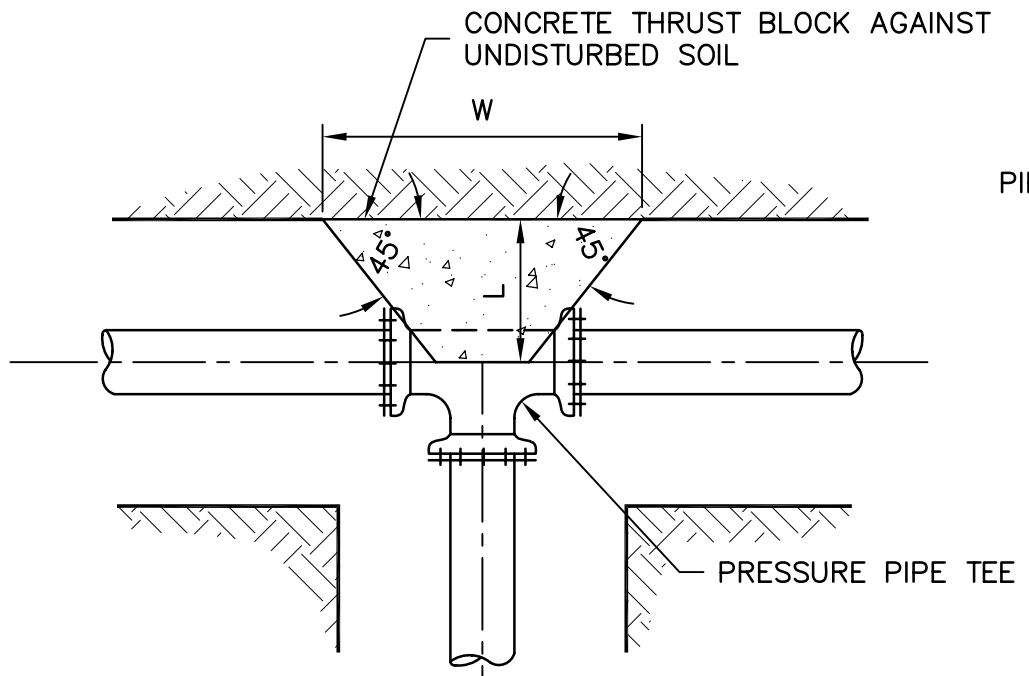


PLAN AT TEE W/STUBOUT FOR FUTURE

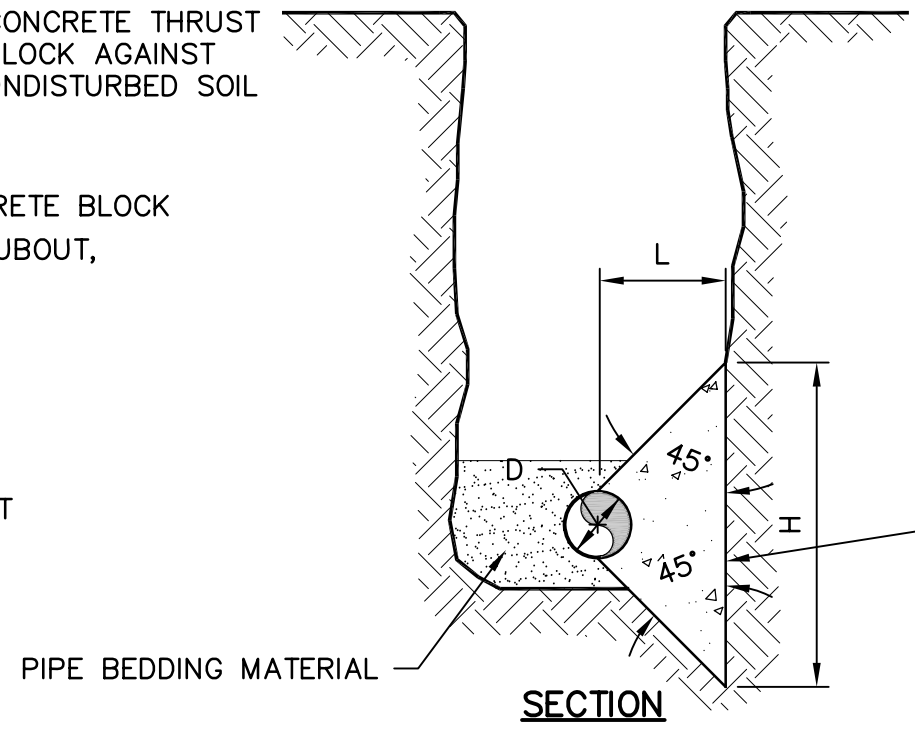
CONCRETE THRUST BLOCK								
45° BEND				90° BEND				
D	BEARING AREA (S.F.)	"L"	"H"	"W"	BEARING AREA (S.F.)	"L"	"H"	"W"
≤8"	5.8	12"	24"	35"	10.7	17"	32"	48"
10"	9.0	16"	30"	43"	16.7	20"	40"	60"
12"	13.0	18"	35"	54"	24.0	24"	48"	72"
16"	23.0	24"	47"	71"	42.7	33"	64"	96"



PLAN AT BEND



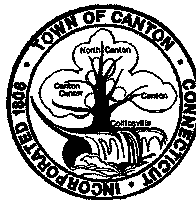
PLAN AT TEE



SECTION

STANDARD NOTES:

1. THIS DETAIL APPLIES ONLY TO SANITARY SEWER FORCE MAINS. PROVIDE SUBMITTAL FOR REVIEW IF THRUST BLOCKS ARE BEING PROPOSED FOR WATER MAINS.
2. CONCRETE THRUST BLOCKS SHALL BE CONSTRUCTED OF CONCRETE POURED AGAINST UNDISTURBED SOIL.
3. DIMENSIONS L, W, & H MAY BE ADJUSTED TO MEET FIELD CONDITIONS PROVIDED THE BEARING AREA REMAINS UNCHANGED.
4. THE HEIGHT OF THE BLOCK (H) SHALL BE LESS THAN OR EQUAL TO HALF THE TRENCH DEPTH.
5. PROVIDE POLYETHYLENE BOND BREAKERS BETWEEN THE CONCRETE AND PIPE FITTINGS.
6. ALL BOLTS SHALL REMAIN FREE OF THE CONCRETE THRUST BLOCK.
7. THRUST BLOCKS SHALL BE USED IN ADDITION TO MECHANICAL RESTRAINTS.
8. REFER TO SECTION 03310 FOR CONCRETE REQUIREMENTS.

 <p>Water Pollution Control Authority Town of Canton</p> <p>4 Market Street P.O. Box 168 Collinsville, Connecticut 06022</p>	SEWER CONSTRUCTION DETAIL	
	SANITARY SEWER FORCE MAIN CONCRETE THRUST BLOCKS FOR HORIZONTAL BENDS	
	LATEST REVISION: 2/07	NO. 021