

REFER TO SURFACE RESTORATION  
DETAILS FOR REPAIRING TOP OF  
PIPE TRENCH

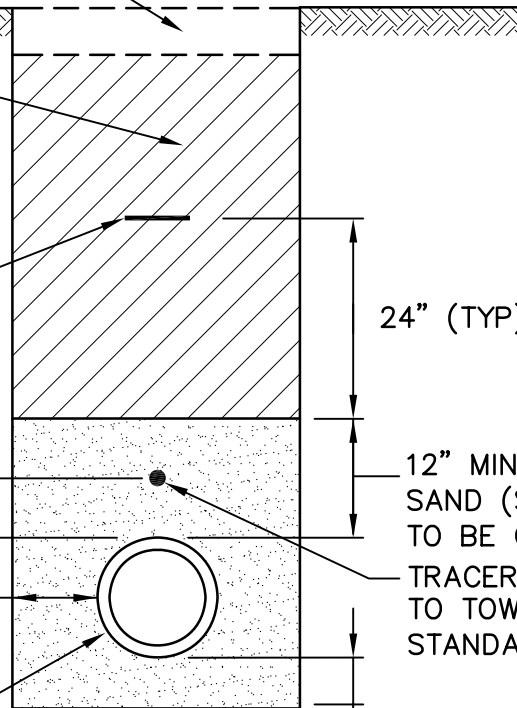
SUITABLE BACKFILL MATERIAL (TO  
BE APPROVED BY WPCA OR ITS  
TECHNICAL CONSULTANT). GRAVEL  
BACKFILL MATERIAL SHALL NOT  
CONTAIN STONES GENERALLY  
LARGER THAN 6" DIAMETER.

6" WIDE NON-METALLIC  
UNDERGROUND UTILITY WARNING  
TAPE READING "CAUTION: BURIED  
SEWER FORCE MAIN BELOW"

6" (TYP)

12" MIN (TYP)

FORCE MAIN PIPE (REFER  
TO NOTE #3 BELOW)



24" (TYP)

12" MIN SCREENED  
SAND (SAND LAYER  
TO BE COMPACTED)

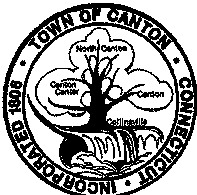
TRACER WIRE (REFER  
TO TOWN OF CANTON  
STANDARD DETAIL)

6" MIN (INCLUDING IN  
ROCK CUT AREAS)  
SAND LAYER

STANDARD NOTES:

1. REFER TO SECTIONS 02514 AND 02515 FOR ADDITIONAL REQUIREMENTS ASSOCIATED WITH PIPE BEDDING FOR GRAVITY SEWER PIPE INSTALLATION.
2. THE 12" SAND LAYER OVER THE PIPE SHALL BE PROPERLY COMPACTED.
3. STONE BEDDING, FILTER FABRIC, AND SAND LAYER SHALL BE EXTENDED TO THE FULL WIDTH OF THE TRENCH.
4. MECHANICAL COMPACTION SHALL BE USED IN APPROPRIATE LIFTS TO OBTAIN A MINIMUM OF 95% MODIFIED PROCTOR DENSITY.

Water Pollution Control Authority  
Town of Canton



4 Market Street  
P.O. Box 168  
Collinsville, Connecticut 06022

SEWER CONSTRUCTION DETAIL

PVC (MAIN LINE & SERVICE)  
LOW PRESSURE SEWER  
& DUCTILE IRON  
FORCE MAIN TRENCH

NO SCALE

LATEST REVISION: 2/07

NO. 015